

# Quantsi

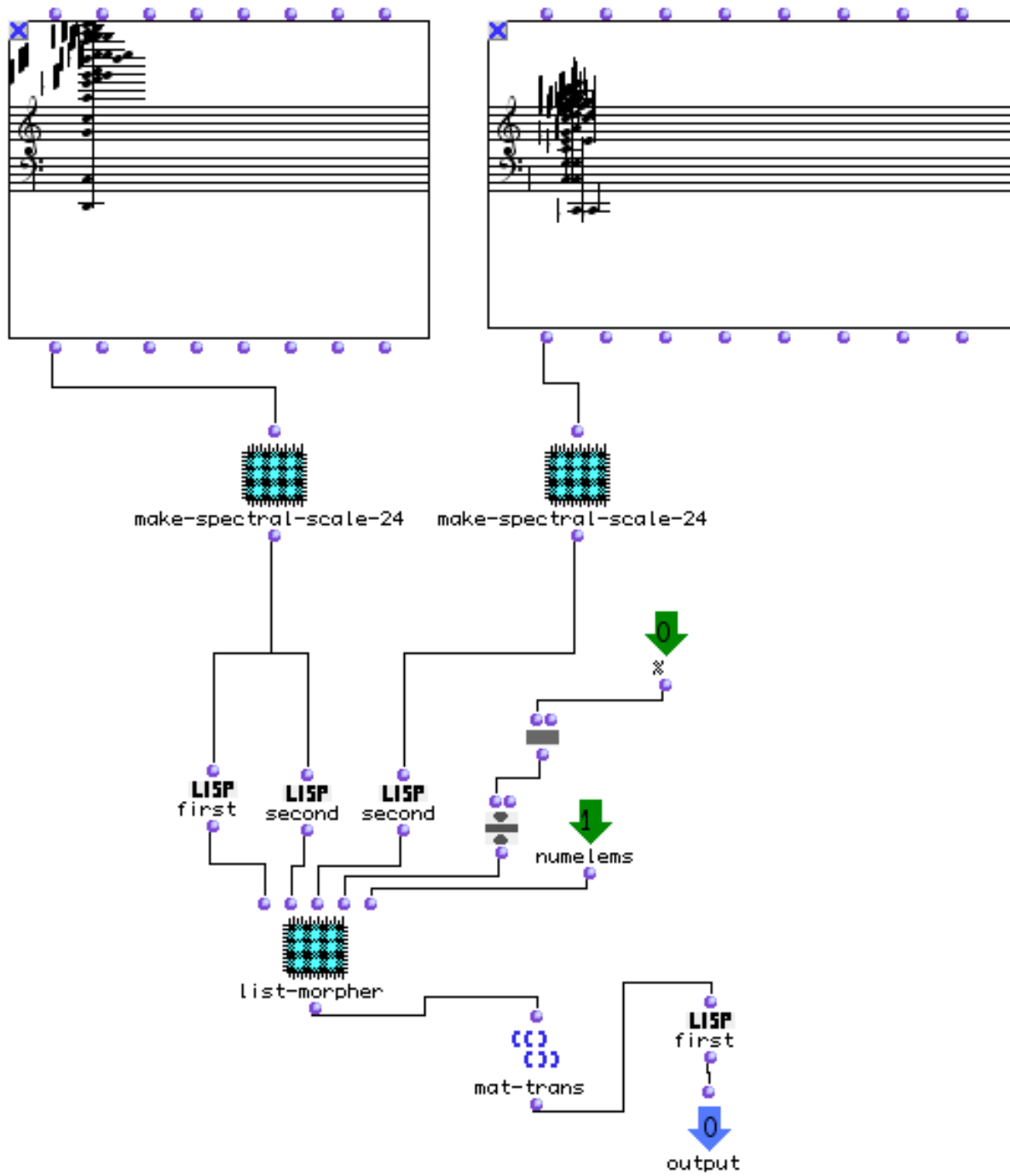
per Quartetto d'Archi

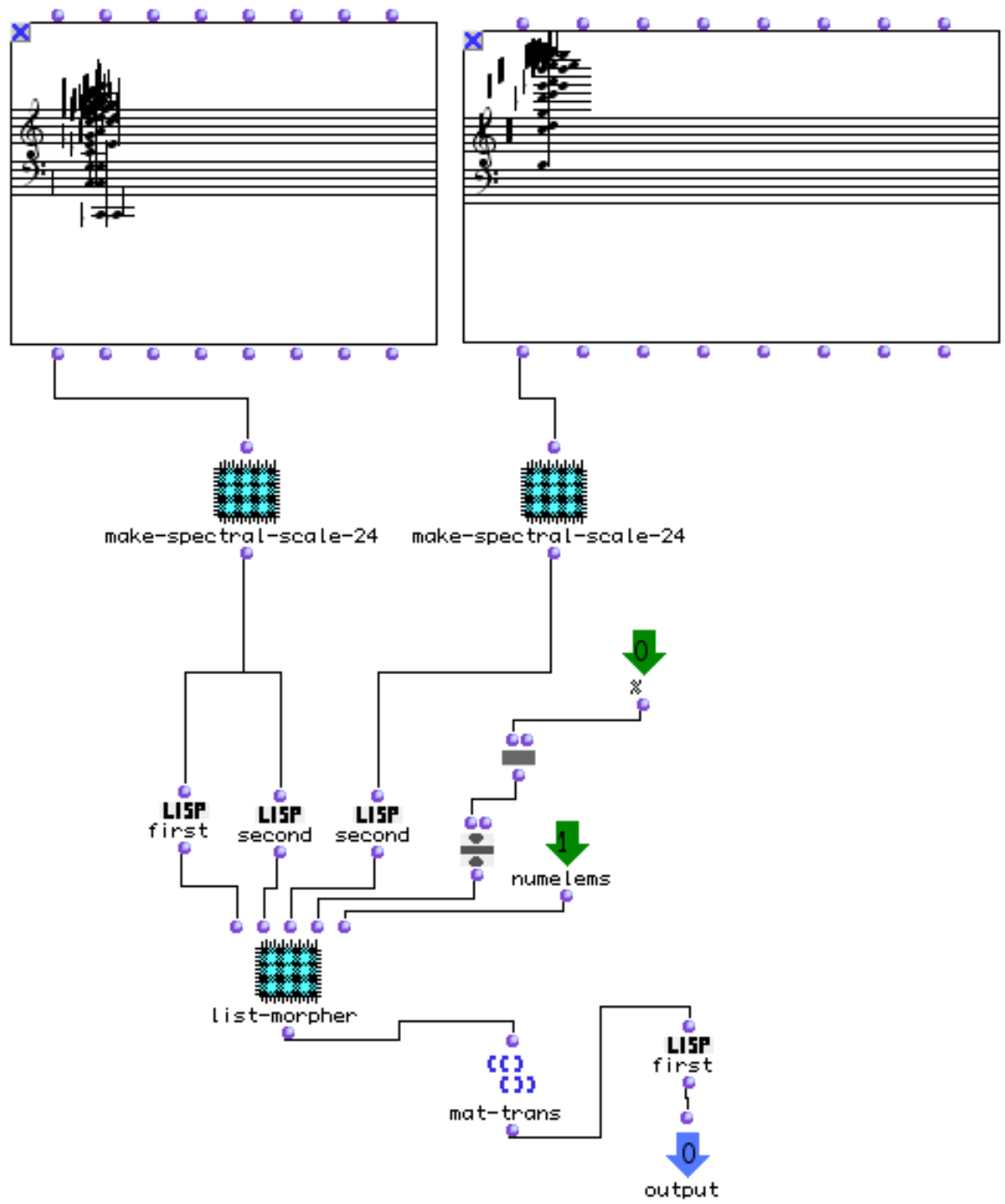


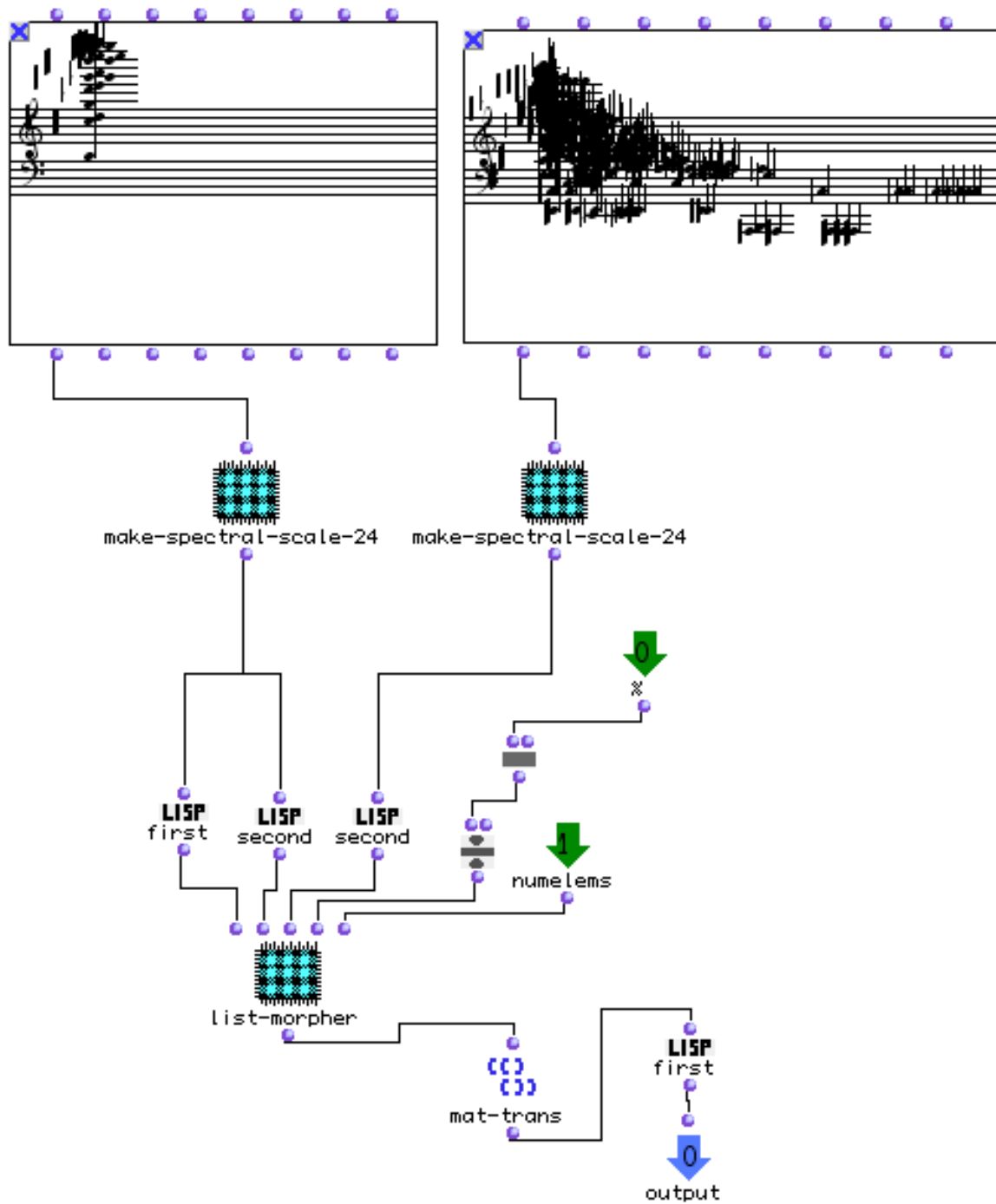




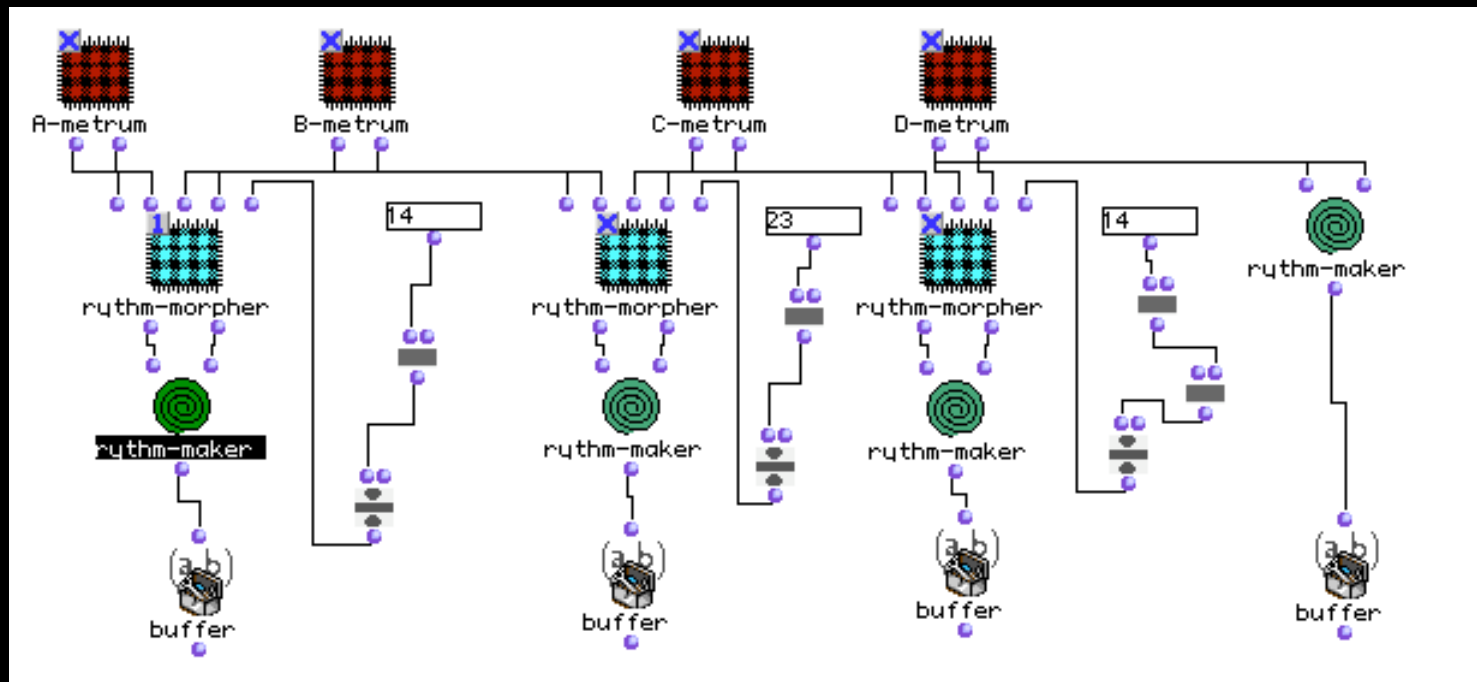


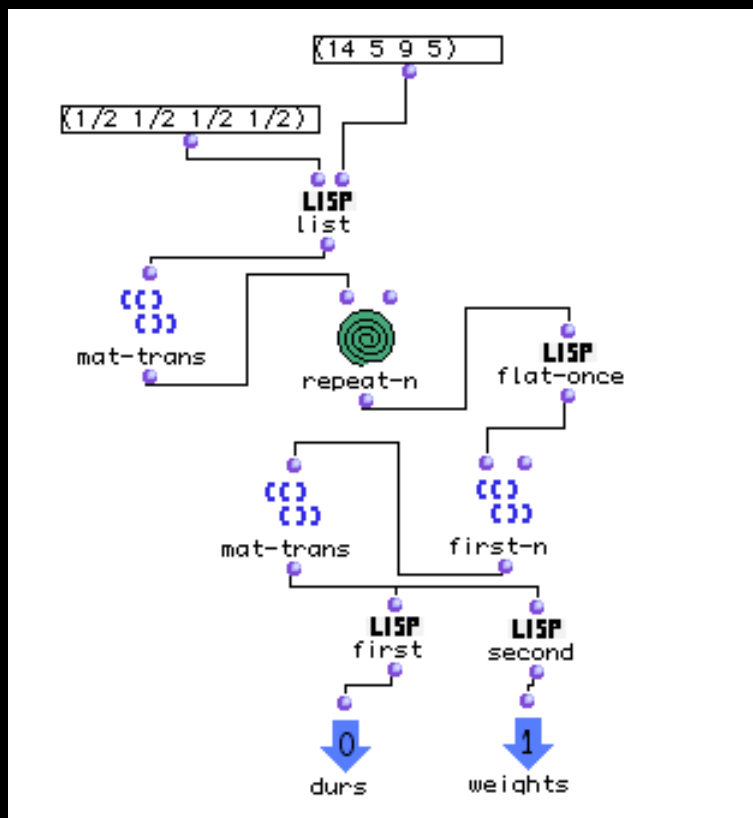


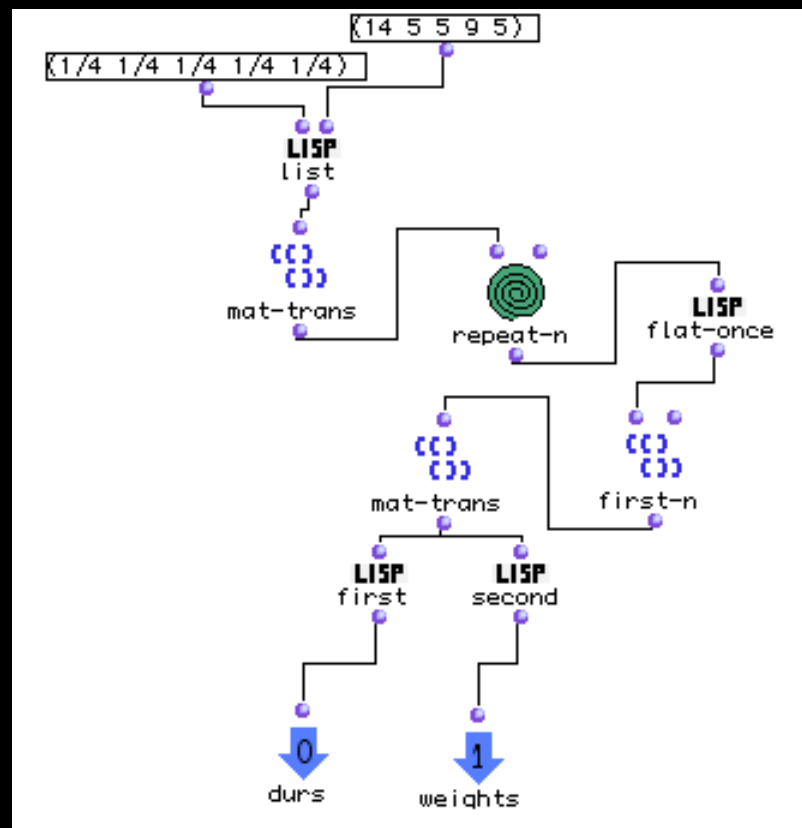


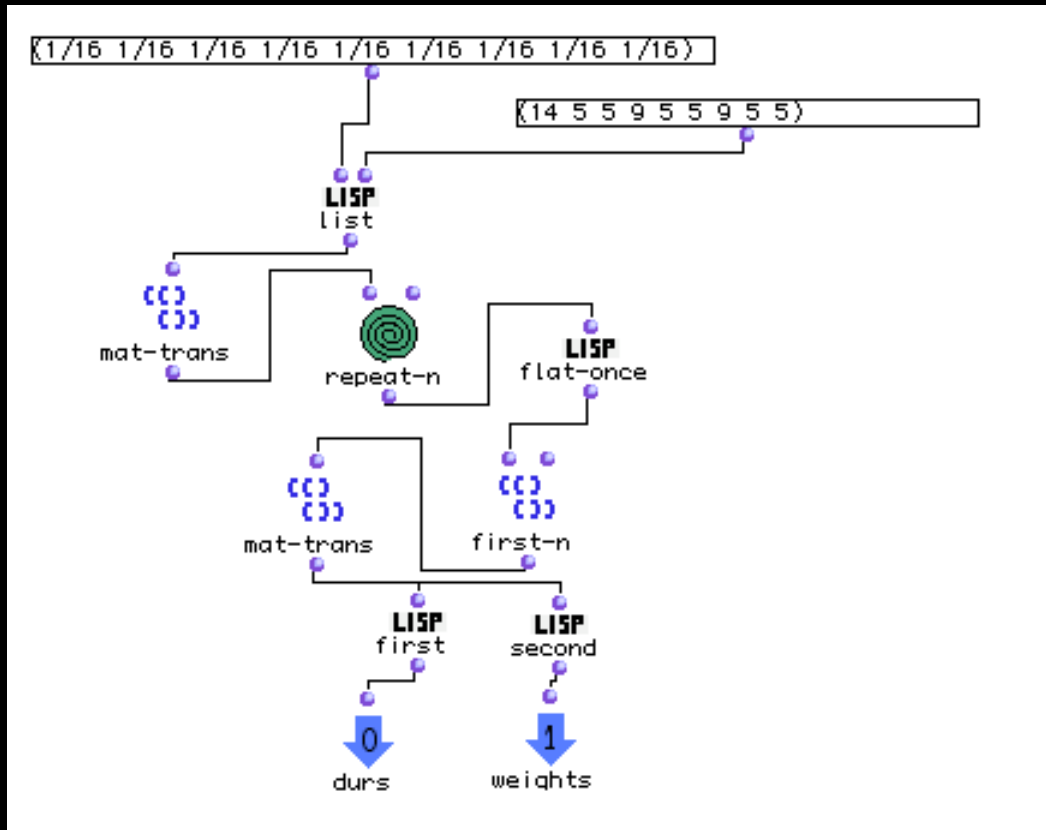


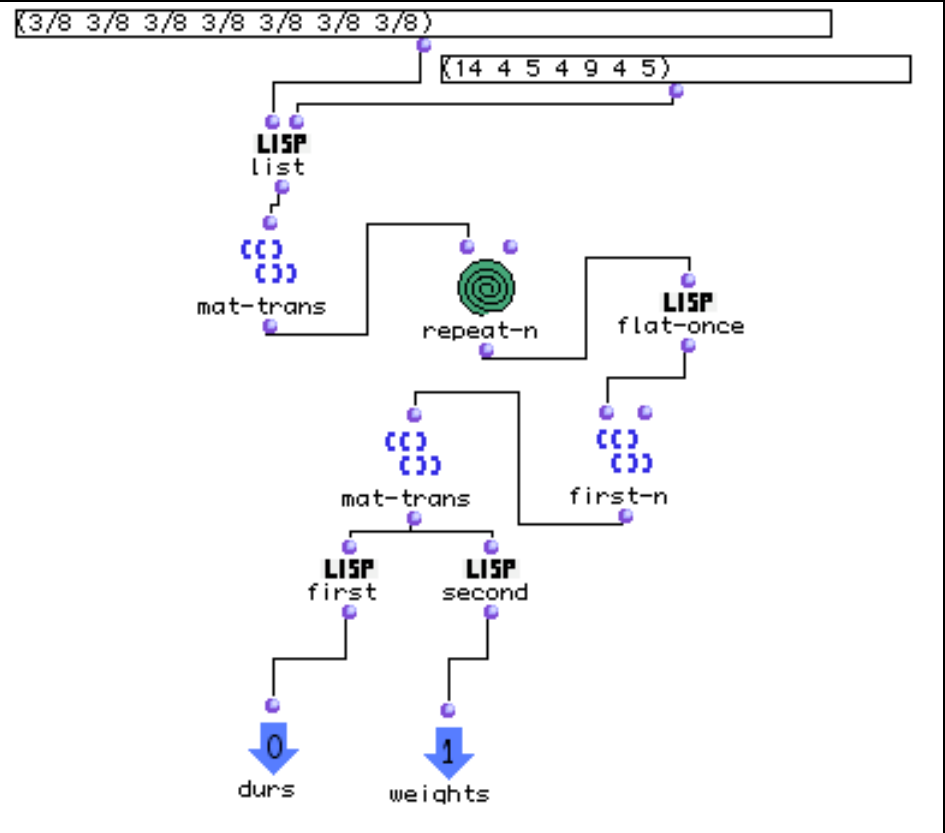


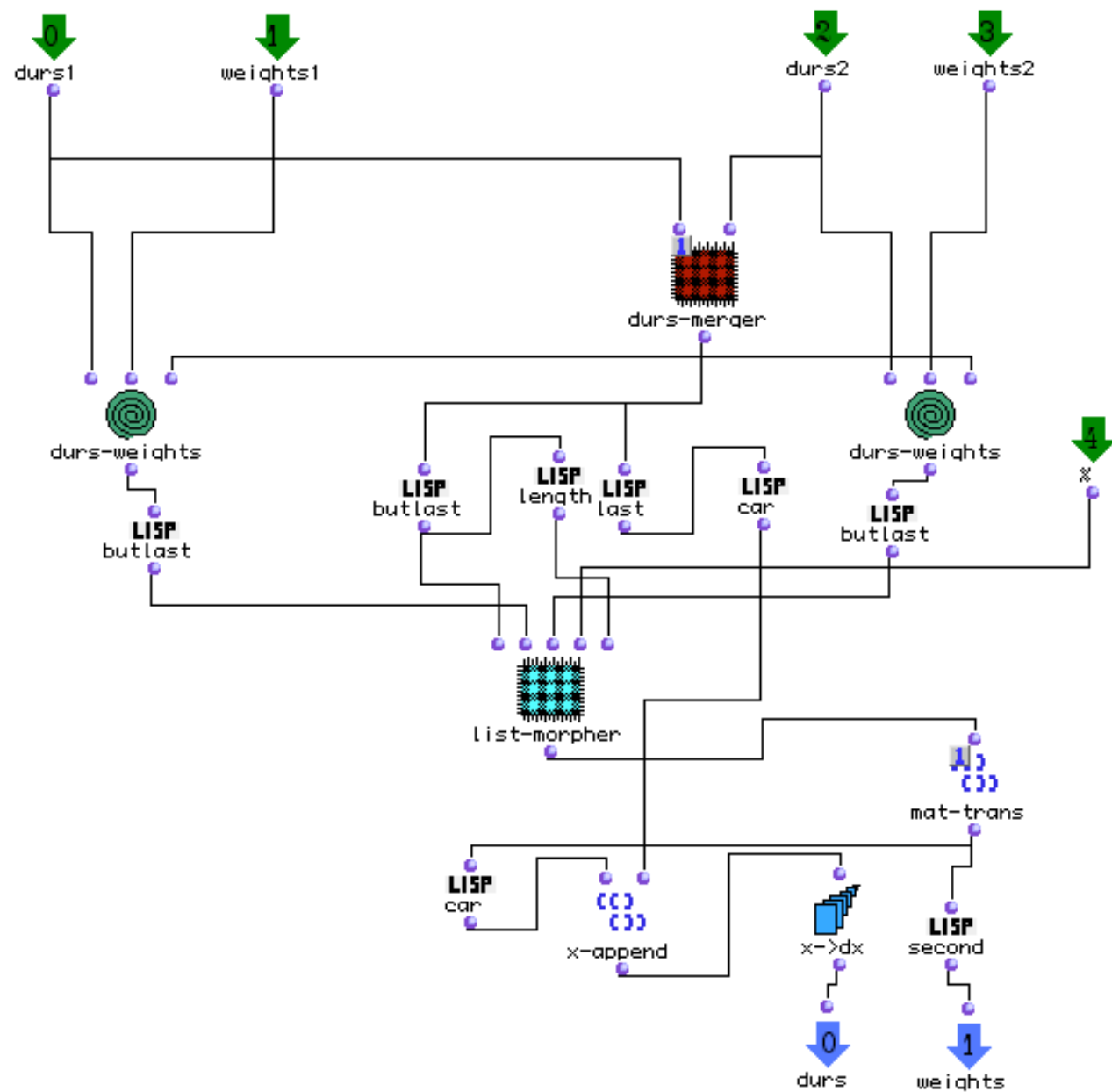


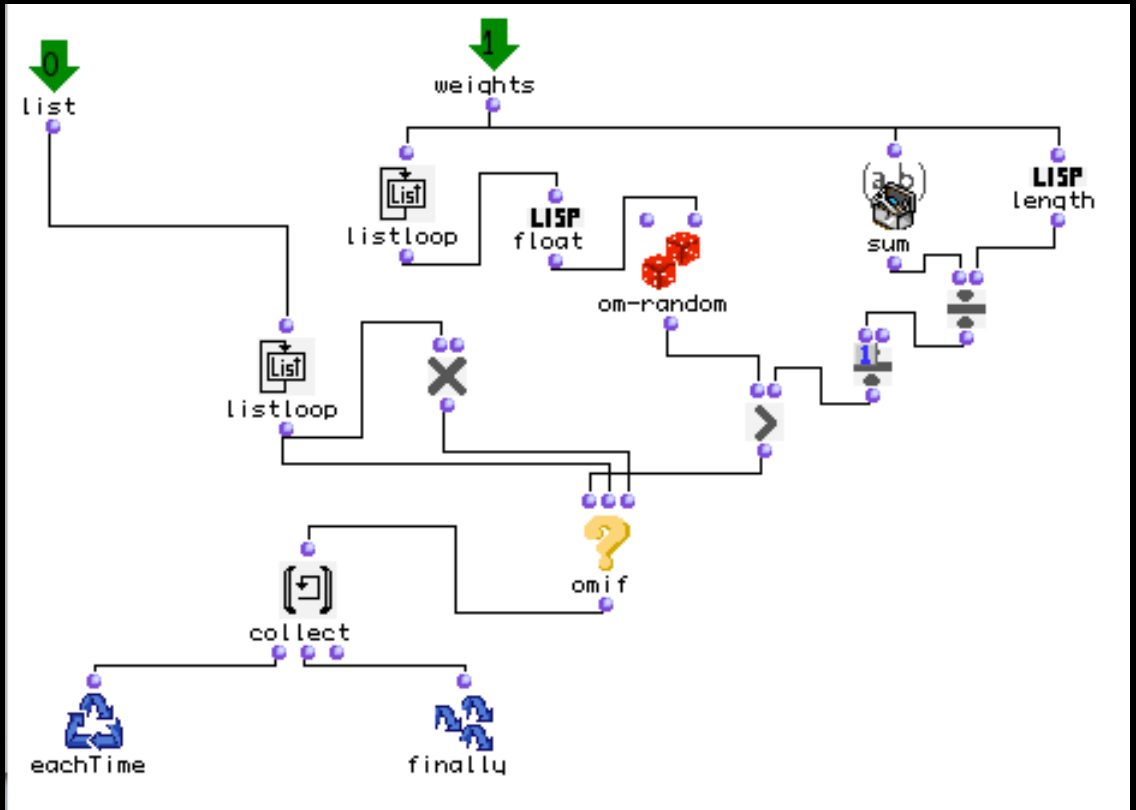


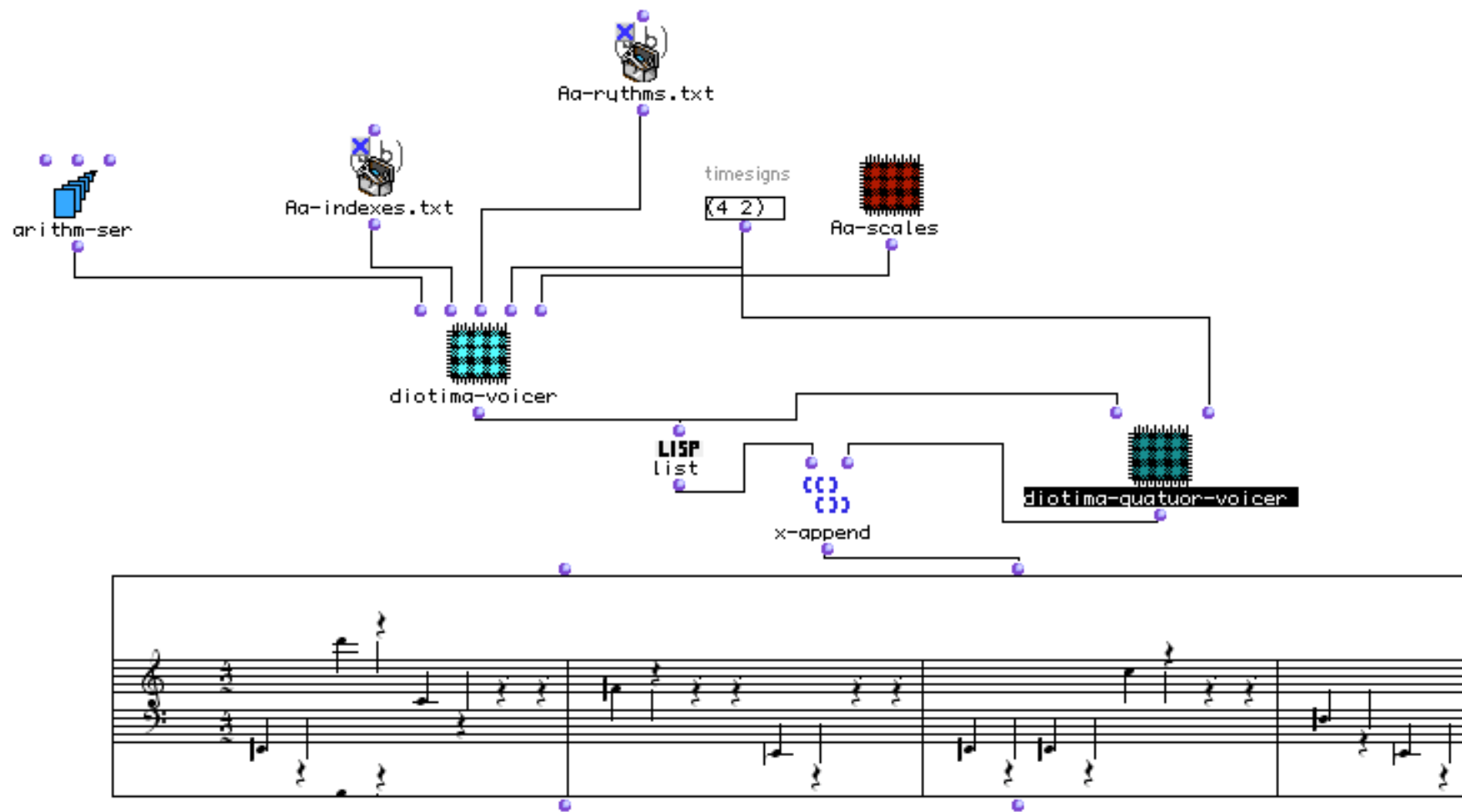




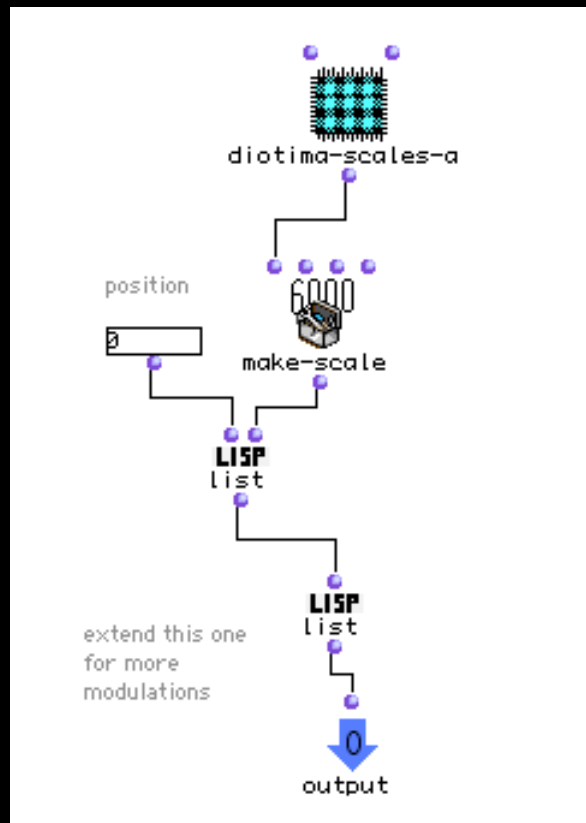


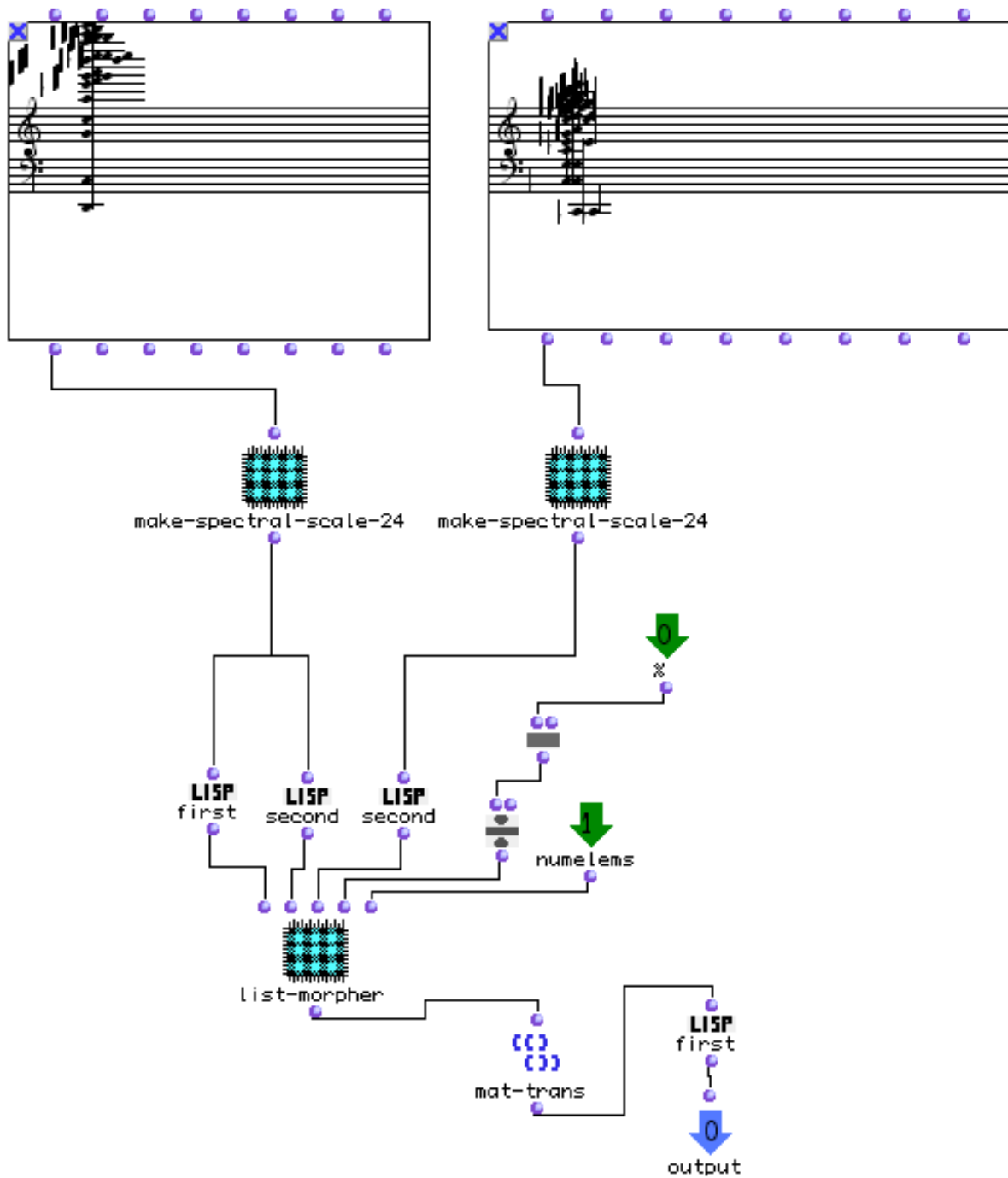


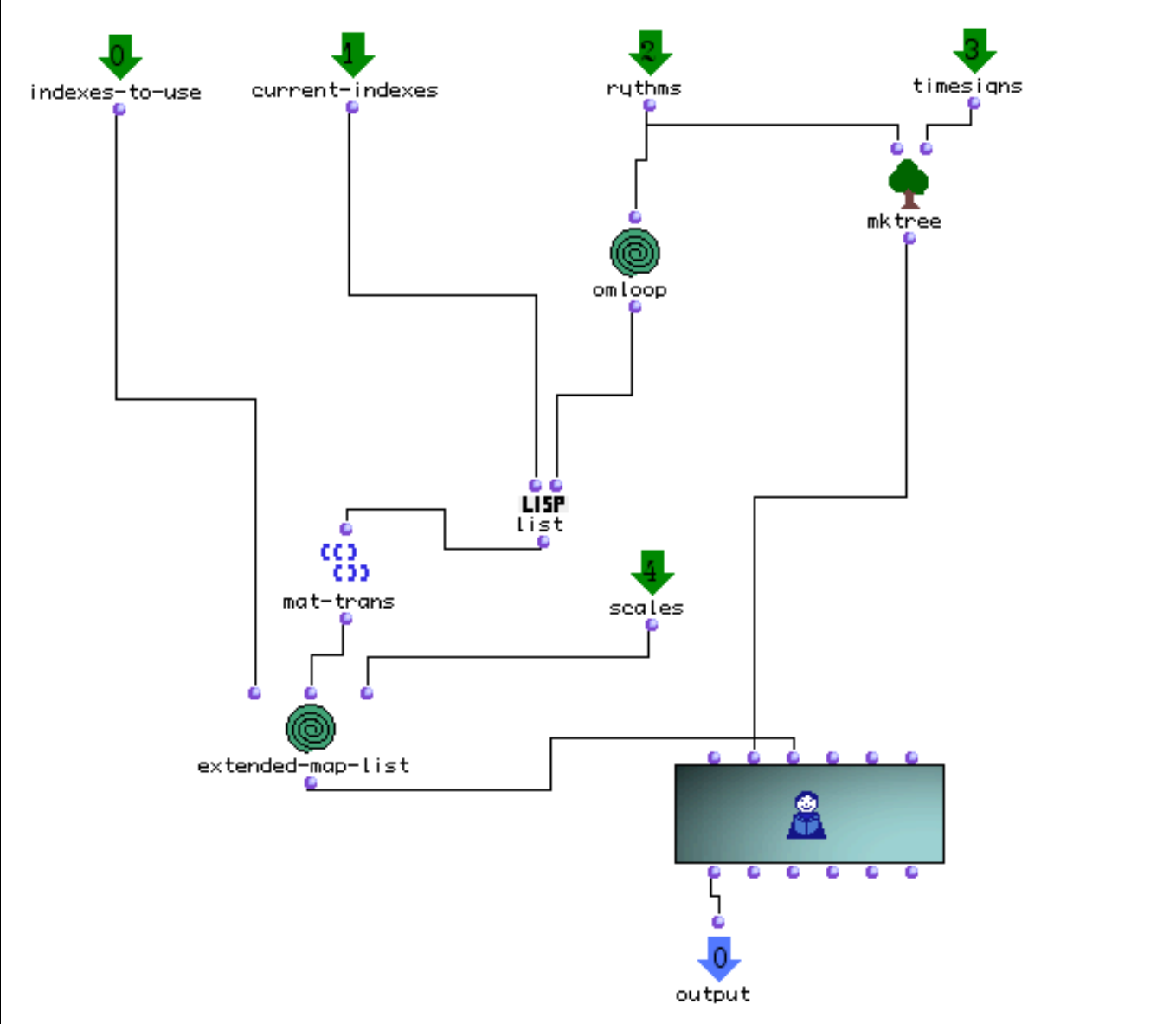


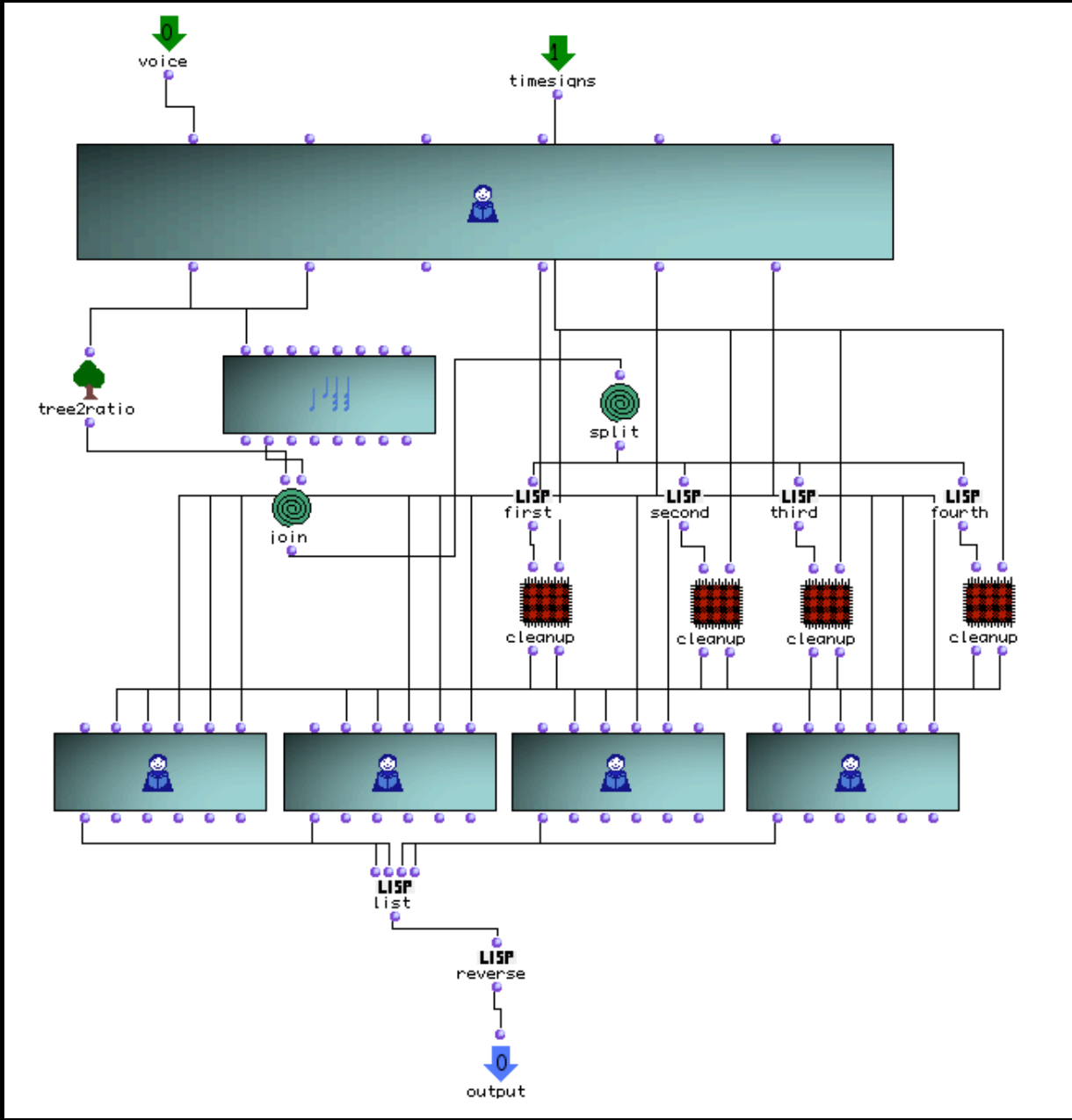


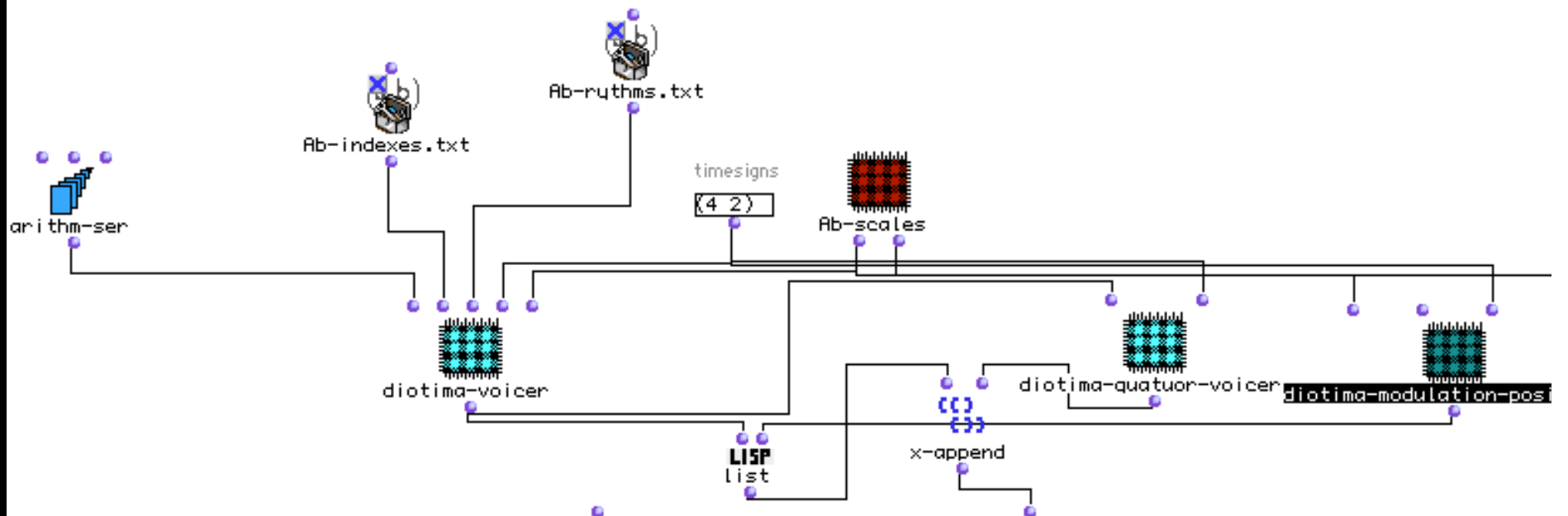












The musical score consists of three systems of staves. The top system features two staves: a treble clef staff and a bass clef staff. The middle system also features two staves: a treble clef staff and a bass clef staff. The bottom system features two staves: a treble clef staff and a bass clef staff. The music is primarily rhythmic, with many notes represented by stems and flags, and some notes with stems and beams. The time signature is 4/2, as indicated by the 'timesigns' block in the diagram above.

